

PHILIPS

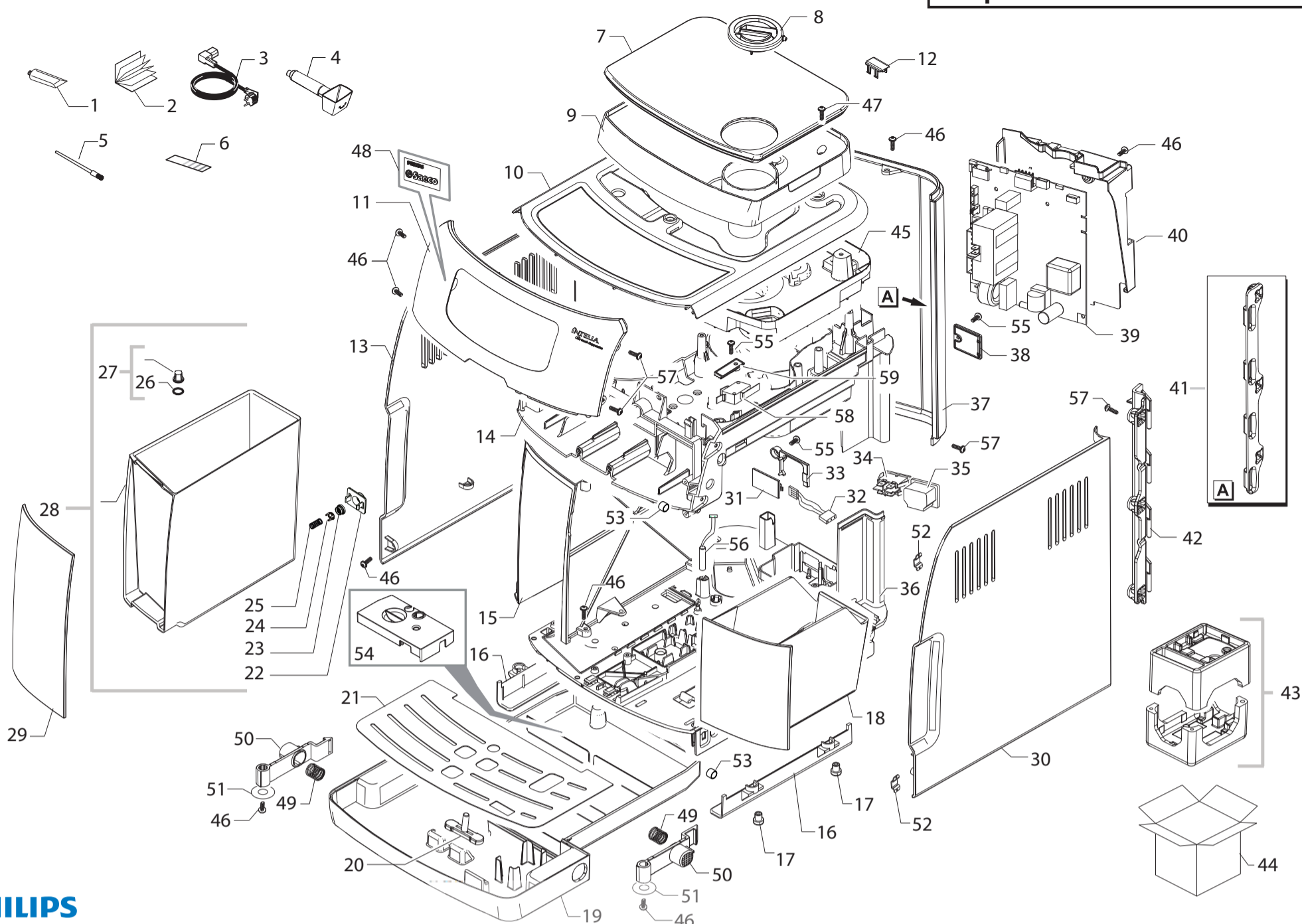
Saeco

HD8753/04-06-11-12-15-19-23-25  
HD8753/81-82-83-84-87-88-89



Cod.10003884-10003987-10004079-80-81  
Cod.10004082-84-85-10004100-06-07-08-09  
Cod.10004228-33

POS	CODE	DESCRIPTION	NOTE	POS	CODE	DESCRIPTION	NOTE
01	11028379	PSA KLUBER TRIBOSTAR SIL 2 TUBE 5GR.		10	20007027	SPARES KIT SS/BLK UPPER CASING COV.NPR/T	
02	15002993	MANUAL PSA HD8753 NPR/T IT				<b>UP TO S/N TU901230124979</b>	
	15002994	MANUAL PSA HD8753 NPR/T GB			20007114	SPARES KIT SS/M.BLK UPP.CASING COV.NPR/T	
	15002995	MANUAL PSA HD8753 NPR/T DE				<b>FROM S/N TU901230124980</b>	
	15002996	MANUAL PSA HD8753 NPR/T FR		11	11027296	BLACK FRONT PANEL S/SCR.NPR/T	
	15002997	MANUAL PSA HD8753 NPR/T ES				<b>UP TO S/N TU901230124979</b>	
	15002998	MANUAL PSA HD8753 NPR/T PT			11030596	MATT/BLACK FRONT PANEL S/SCR.NPR/T	
	15002999	MANUAL PSA HD8753 NPR/T NL				<b>FROM TO S/N TU901230124980</b>	
	15003005	MANUAL PSA HD8753 NPR/T SV			11027525	SPECCHIATO FRONT PANEL S/SCR.NPR/T	
	15003006	MANUAL PSA HD8753 NPR/T NO				<b>UP TO S/N TU901230124979</b>	
	15003007	MANUAL PSA HD8753 NPR/T FI			11030597	SPECCHIATO FRONT PANEL S/SCR.NPR/T	
	15003008	MANUAL PSA HD8753 NPR/T DA				<b>FROM S/N TU901230124980</b>	
	15003009	MANUAL PSA HD8753 NPR/T GR			11030232	SS FRONT PANEL V2 S/SCR.NPR/TM ASSY.	CAPP.METAL
	15003076	MANUAL PSA HD8753 NPR/T CHN		12	17001380	TRANSP.COVER INFRAREDS ACCESS NPR/T	
	15003077	MANUAL PSA HD8753 NPR/T TWN		13	17001299	BLACK LEFT SIDE CASING NPR	
	15003078	MANUAL PSA HD8753 NPR/T KOR		14	11030131	BLK COFFEE GRINDER SUPP.PLATE V2 NPR/T	
	15003096	MANUAL PSA HD8753 NPR/T PL		15	17001114	BLACK CASING BOTTOM INSERT NPR	BLACK
	15003097	MANUAL PSA HD8753 NPR/T RU			11027799	GREYCASING BOTTOM INSERT NPR	GREY
	15003098	MANUAL PSA HD8753 NPR/T HU		16	17001110	BLACK DRIP TRAY GUIDE NPR	
	15003099	MANUAL PSA HD8753 NPR/T CS		17	147622800	TRANSPARENT SILICONE FOOT	
	15003130	MANUAL PSA HD8753 NPR/T SK		18	17000594	BLACK DUMP BOX NPR/T	
	15003131	MANUAL PSA HD8753 NPR/T UA				<b>UP TO S/N TU901230124979</b>	
	15003132	MANUAL PSA HD8753 NPR/T SL			11030538	MATT/BLACK DUMP BOX NPR/T	
	15003133	MANUAL PSA HD8753 NPR/T RO				<b>FROM S/N TU901230124980</b>	
	15003134	MANUAL PSA HD8753 NPR/T CR			11027522	SPECCHIATO DUMP BOX NPR/T	
	15003135	MANUAL PSA HD8753 NPR/T BG				<b>UP TO S/N TU901230124979</b>	
	15003136	MANUAL PSA HD8753 NPR/T SR			11030566	SPECCHIATO DUMP BOX NPR/T	
03	183911050	BLACK POWER CABLE SCHUKO L=1200				<b>FROM S/N TU901230124980</b>	
	11001985	BLACK POWER CABLE KOREA L=1200			11028590	SS DUMP BOX NPR/TM ASSY.	CAPP.METAL
	183930650	POWER CABLE CH BLACK 3X1 H05VV-F L=1200		19	11028116	BLACK DRIP TRAY NPR/T ASSY.	
	183940650	BLACK POWER CABLE AUSTRALIA L=1200				<b>UP TO S/N TU901230124979</b>	
	183970350	BLK POWER CABLE 3X1 H05VV-F UK L=1200MM			11030716	MATT/BLACK DRIP TRAY NPR/T ASSY.	
	11004247	BLACK POWER CABLE RVV 3X1 CHINA L=1200				<b>FROM S/N TU901230124980</b>	
	183921950	POWER CABLE SJT3 USA BLACK ULL L=1200		20	11013184	RED FLOAT FOR DRIP TRAY XSM	
	11004246	BLACK POWER CABLE TAIWAN HVCTF L=1200			17001097	SS GRATE FOR DRIP TRAY NPR/T	
04	146680850	BLACK COFFEE MEASURE SMART		21	11001097	SS GRATE FOR DRIP TRAY NPR/T	
05	127390100	BRUSH FOR CLEANING		22	11001298	BLACK LID FOR DUCKBILL VALVE P0049	
06	0301.961	STICKER FOR WATER HARDNESS TEST		23	11003671	TRANSP.VALVE FOR WATER CONTAINER P0049	
07	17001245	NAT/GREY BEAN COFFEE CONTAIN.LID NPR/H-T		24	11003673	GREY WATER CONTAINER VALVE INSERT P0049	
08	17001244	NAT/GREY GROUND COFFEE HOPPER LID NPR		25	11003672	SS SPRING FOR WATER CONTAIN.VALVE P0049	
09	17001234	NAT/GREY BEAN COFFEE CONTAINER NPR		26	140328461	EPDM OR METRIC 0190-10	
				27	224640200	WHITE WATER CONTAINER EXT.FILTER ASSY.	
				28	11026289	NAT/GREY WATER CONTAINER NPR ASSY.	



PHILIPS

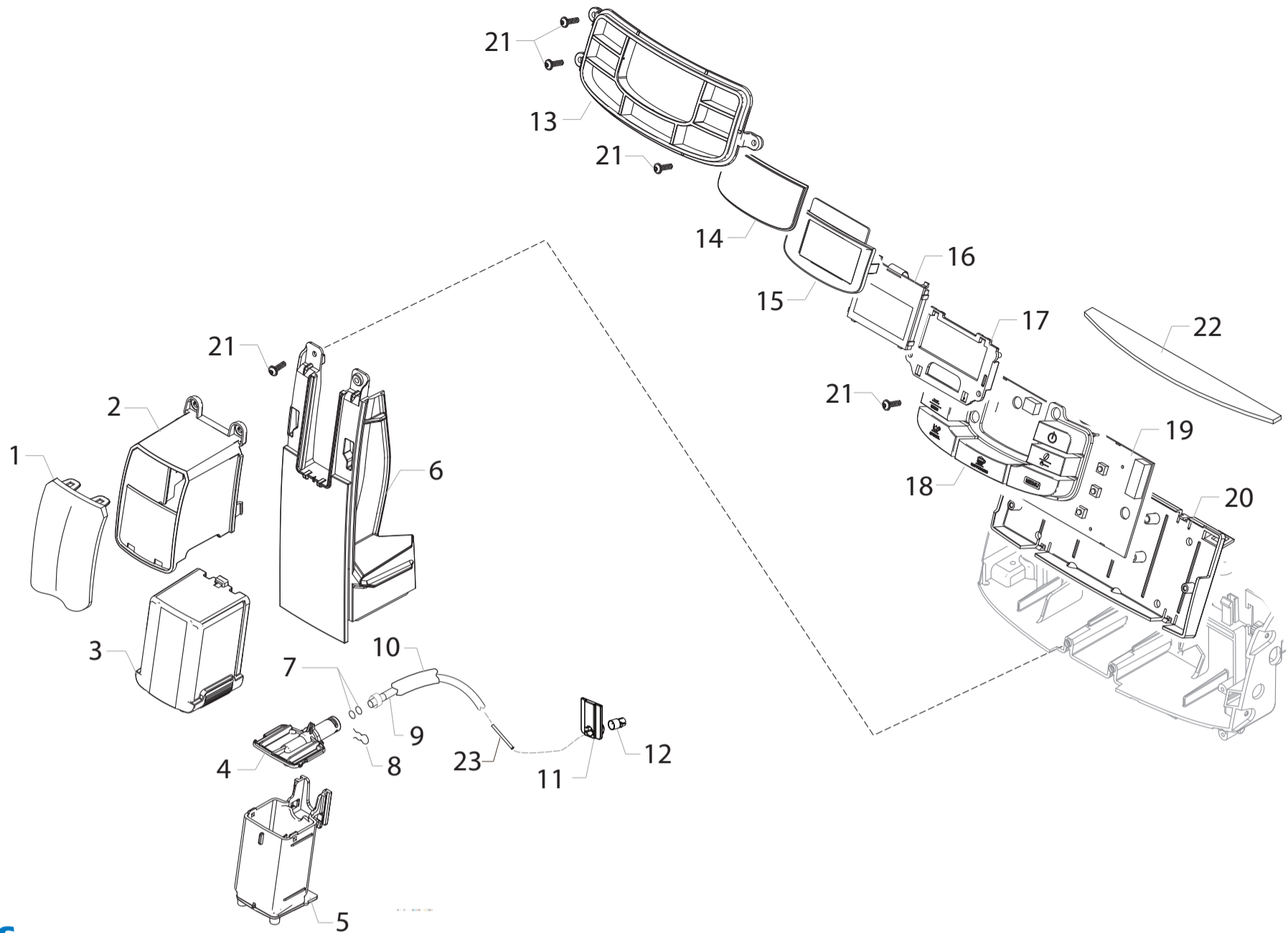
Saeco

HD8753/04-06-11-12-15-19-23-25  
HD8753/81-82-83-84-87-88-89



Cod.10003884-10003987-10004079-80-81  
Cod.10004082-84-85-10004100-06-07-08-09  
Cod.10004228-33

POS	CODE	DESCRIPTION	NOTE	POS	CODE	DESCRIPTION	NOTE
29	17001120	BLACK WATER TANK FRONT COVER NPR <b>UP TO S/N TU901230124979</b>		49	11000759	HOT WATER TUBE SPRING P124	
	11030535	MATT/BLACK WATER TANK FRONT COVER NPR <b>FROM S/N TU901230124980</b>		50	17001274	BLACK DRIP TRAY LOCKING INSERT NPR/T	
	11028543	SPECCHIATO WATER TANK FRONT COVER NPR <b>UP TO S/N TU901230124979</b>		51	U207.004	PLAIN WASHER 4,3X16 UNI 6592 GAL	
	11030558	SPECCHIATO WATER TANK FRONT COVER NPR <b>FROM S/N TU901230124980</b>		52	11013220	STEEL PLATE FOR DOOR MAGNET XSM	
	11028561	SS WATER TANK FRONT COVER NPR/HM ASSY.	CAPP.METAL	53	9161.111	MAGNET FOR FLOAT SUPERAUT.	
30	17000739	MATT/BLACK RIGHT SIDE DOOR V2 NPR		54	17000838	BLACK DRIP TRAY COVER NPR/T	
31	11003232	AS.CPU+SW WATER CONTAINER SENSOR	230V	55	129913202	SCREW TCB TORX 10 3X8 PLAST.ZN-B	
	11000651	WATER LEVEL SENSOR BOARD P124	120V	56	17800432	2POLES CONNECT.SENSOR REED DOOR V2 G0053	
32	17800165	3POLES CONNECTOR WATER LEVEL CLP UL		57	12001728	SCREW TCB TORX 10 3,5X12 PLAST.SS	
33	17001179	BLK CAPACIT.SENSOR LOCKING INSERT NPR		58	NE05.013	MICROSWITCH SAIA XGK52-81-J23	
34	NE03.038	BIPOLAR SWITCH FUSIT C1250AR		59	17000064	BLK CAPACIT.SENSOR DEADLOCK INSERT XSM	
35	12000280	CUP SOCKET EN 60320 C 13					
	12001645	CUP SOCKET V2 EN 60320 C 13	120V				
36	17000813	BLACK CASING BOTTOM NPR/T					
37	17001240	BLACK REAR CASING NPR					
38	17001484	BLACK REAR CASING PROGRAM.INSERT NPR					
39	11026677	AS.CPU+SW NPR/T	230V				
	11030736	CPU+SW V2 NPR/T ASSY. <b>FROM S/N TU901228113258</b>	230V				
	11028197	AS.CPU+SW NPR/T <b>UP TO S/N TU901228113257</b>	120V				
	11030735	CPU+SW V2 NPR/T ASSY. <b>FROM S/N TU901228113258</b>	120V				
40	11012301	BLACK PWR/CPU BOARD PROTECTION P0057					
41	11012714	BLACK HINGE FOR REAR CASING XSM					
42	11012713	BLACK HINGE FOR DOOR RIGHT SIDE XSM					
43	20007026	KIT PS-E INSERT FOR BOX NPR/T					
44	13001407	DISPLAY BOX NRP/T PSA INTELIA CAPP.WE					
	13001464	DISPLAY BOX NRP/T PSA INTELIA CAPP.FE					
	13001433	DISPLAY BOX NRP/T PSA INTELIA CAPP.CEE					
	13001438	DISPLAY BOX NPR/TM PSA INTELIA CAPP.MET.WE	CAPP.MET.WE				
	13001439	DISP.BOX NPR/TM PSA INTELIA CAPP.MET.CEE	CAPP.MET.CEE				
	13001460	DISP.BOX NPR/TM PSA INTELIA CAPP.MET.USA	CAPP.MET.USA				
45	17001217	COFFEE GRINDER SOUNDPROOFING COVER NPR					
46	12000450	SCREW TCB TORX 10 3,5X12 PLAST.ZN-N					
47	129914002	SCREW TCB TORX 10 3,5X16 PLAST.ZN-B					
48	11025026	ADHES.SILVER PLATE LOGO PHILIPS-SAECO					



PHILIPS

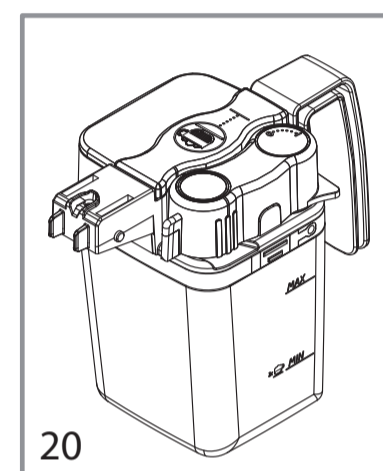
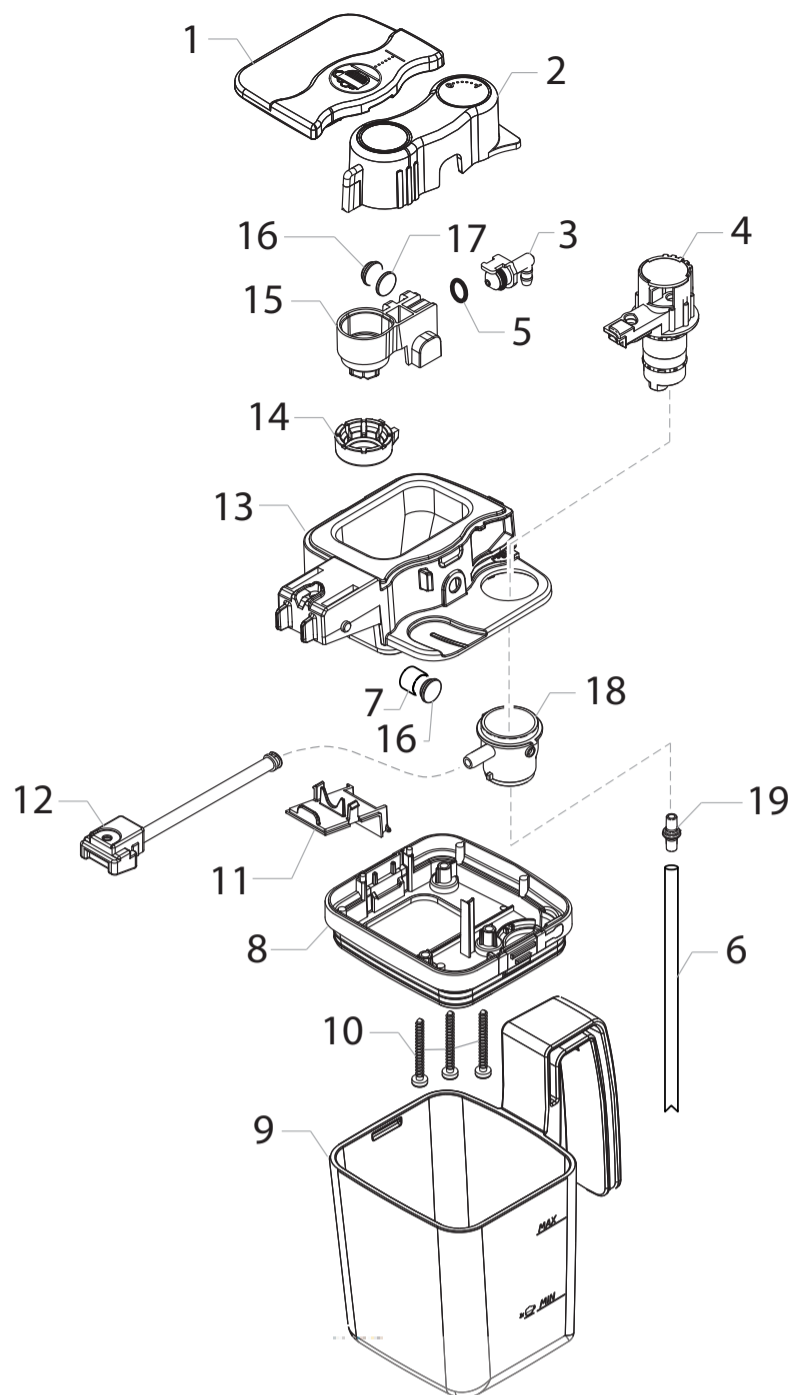
Saeco

HD8753/04-06-11-12-15-19-23-25  
HD8753/81-82-83-84-87-88-89



Cod.10003884-10003987-10004079-80-81  
Cod.10004082-84-85-10004100-06-07-08-09  
Cod.10004228-33

POS	CODE	DESCRIPTION	NOTE	POS	CODE	DESCRIPTION	NOTE
01	17001031	BLK COFFEE DISPENSER FRONT PLATE NPR/T <b>UP TO S/N TU901230124979</b>					
	11030537	MATT/BLK COF.DISPENSER FRONT PLATE NPR/T <b>FROM S/N TU901230124980</b>					
	11027520	SPECCH.COF.DISPENSER FRONT PLATE NPR/T <b>UP TO S/N TU901230124979</b>					
	11030715	SPECCH.COF.DISPENSER FRONT PLATE NPR/T <b>FROM S/N TU901230124980</b>					
	11028589	SS COF.DISPENSER FRONT PLATE NPR/TM ASSY	CAPP.METAL				
02	17001239	BLACK COFFEE DISPENSER LID NPR <b>UP TO S/N TU901230124979</b>					
	11030531	MATT/BLACK COFFEE DISPENSER LID NPR <b>FROM S/N TU901230124980</b>					
03	17001242	BLACK COFFEE DISPENSER MOBILE PART NPR					
04	17001246	BLACK COFFEE DISPENSER BODY LID NPR					
05	17001894	BLACK COFFEE DISPENSER BODY V2 NPR					
06	17000772	BLACK FRONT CASING COVER V2 NPR <b>UP TO S/N TU901230124979</b>					
	11030536	MATT/BLACK FRONT CASING COVER V2 NPR <b>FROM S/N TU901230124980</b>					
	11028542	SPECCHIATO FRONT CASING COVER V2 NPR <b>UP TO S/N TU901230124979</b>					
	11030563	SPECCHIATO FRONT CASING COVER V2 NPR <b>FROM S/N TU901230124980</b>					
	11028558	SS FRONT CASING COVER NPR/HM ASSY.	CAPP.METAL				
07	140328059	OR 2015 IN SILICONE PTFE/FDA					
08	9011.144	SS FORK FOR TUBE D=4					
09	11004132	TEFLON TUBE 2X4 L=250 MM ASSY.					
10	149361200	BLACK SILICONE TUBE 7,5X9,3	IN ROLL				
11	11005100	PLATE FOR 4X2 TEFLON TUBE P124					
12	11005101	BUSH FOR 4X2 TEFLON TUBE P124					
13	11030922	CRC TOUCH PANEL FRAME NPR/T					
14	17001112	TRANSP.GLASS FOR DISPLAY NPR					
15	17001111	BLACK DISPLAY FRAME NPR					
16	12001630	GRAPHIC DISPLAY CMG122647Z01ZTW NPR					
17	17001100	BLACK DISPLAY SUPPORT NPR					
18	11027330	SILVER 7BUTTONS TOUCH PANEL S/SCR.NPR/T					
19	11025830	KYB - INTERFACE NPR/H-T					
20	11030078	BLACK DISPLAY KEYBOARD SUPPORT V2 NPR					
21	12000450	SCREW TCBR TORX 10 3,5X12 PLAST.ZN-N					
22	17001379	BLACK ADHESIVE AERSTOP NPR					
23	17000266	SS.L=22,6MM INT.BUSH FOR TEFLON TUBE D4					



**PHILIPS**

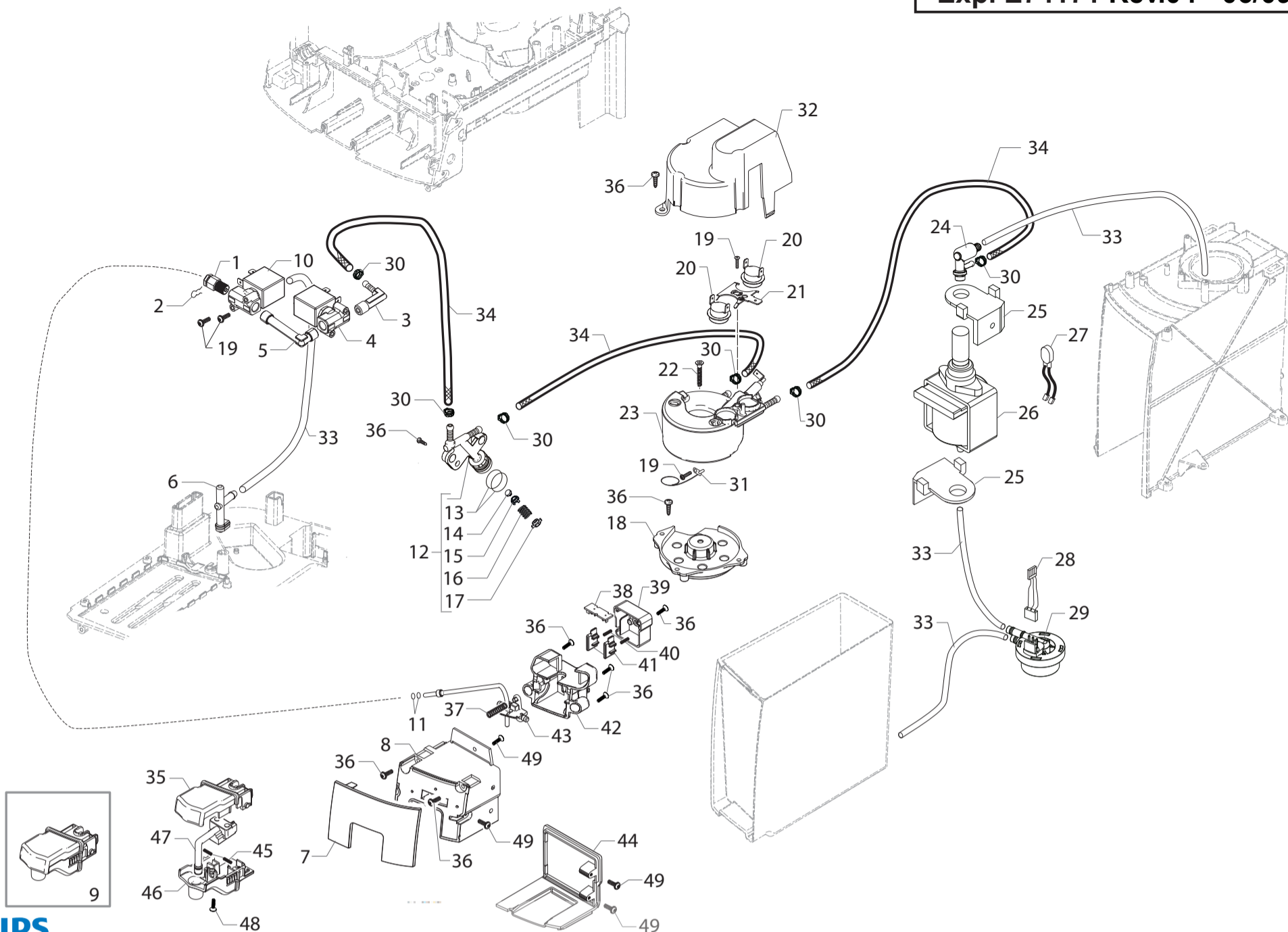
**Saeco**

HD8753/04-06-11-12-15-19-23-25  
HD8753/81-82-83-84-87-88-89



Cod.10003884-10003987-10004079-80-81  
Cod.10004082-84-85-10004100-06-07-08-09  
Cod.10004228-33

POS	CODE	DESCRIPTION	NOTE	POS	CODE	DESCRIPTION	NOTE
01	11030764	MATT/BLACK CARAFE COVER PLUG NPR/T					
02	17000953	BLACK CARAFE CAPPUC.COVER V2 NPR/T					
03	17001194	CARAFE STEAM OUTPUT CONNECT.NPR/T ASSY.					
04	17000843	BLACK CAPPUC.PIN NPR/T ASSY.					
05	NM01.028	OR 106 SILICONE					
06	11027297	SILICONE TUBE 3,5X6 L= 75 MM					
07	9161.111	MAGNET FOR FLOAT SUPERAUT.					
08	11030762	MATT/BLACK LOWER COVER PART CARAFE NPR/T					
09	17000824	TRANSP.CARAFE S/SCR.NPR/T					
10	129914002	SCREW TCB TORX 10 3,5X16 PLAST.ZN-B					
11	17001103	BLACK REAR CARAFE COVER INSERT NPR/T					
12	17000585	BLACK CARAFE MILK DISPENSER TUBE NPR/T					
13	11030761	MATT/BLACK UPPER COVER PART CARAFE NPR/T					
14	17000822	BLK CAPPUC.OUTPUT MILK CONN.CARAFE NPR/T					
15	17000489	BLACK CARAFE CAPPUCINAT.CASING NPR/T					
16	11014016	SS.INSERT FOR MAGNET MYB9					
17	9991.093	MAGNET D=9,5 X H=1,5					
18	17001604	BLACK CARAFE COVER BUSH V2 NPR/T					
19	17001362	BLK MILK INTAKE TUBE CONNECT.INS.V2 RYL					
20	11030841	TRANSP-MATT/BLK GEN.CARAFE NPR/T ASSY.					



PHILIPS

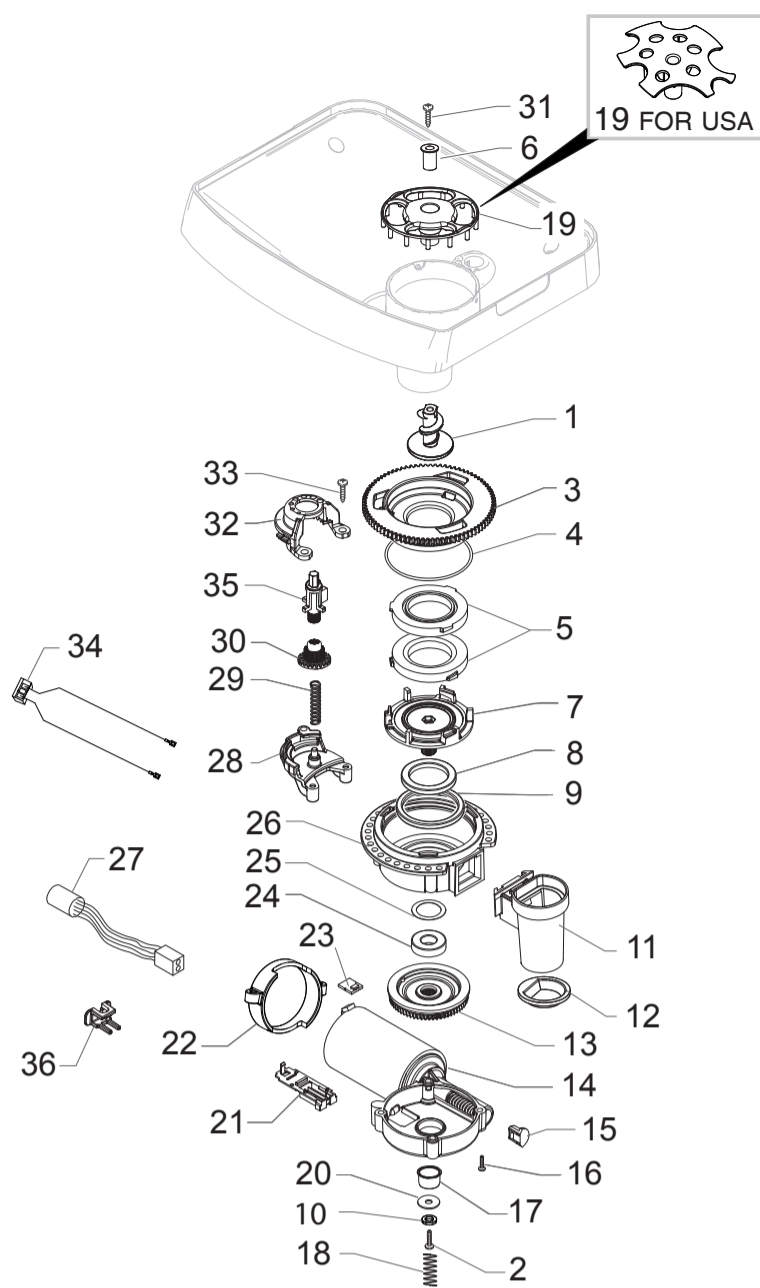
Saeco

HD8753/04-06-11-12-15-19-23-25  
HD8753/81-82-83-84-87-88-89



Cod.10003884-10003987-10004079-80-81  
Cod.10004082-84-85-10004100-06-07-08-09  
Cod.10004228-33

POS	CODE	DESCRIPTION	NOTE	POS	CODE	DESCRIPTION	NOTE	
01	11027572	L-F/BRASS CONNECTOR 1/8" FOR TUBE D=4		33	JS01.022	SILICONE TUBE 5X10 60SH	IN ROLL	
02	9011.144	SS FORK FOR TUBE D=4		34	16000380	5X8,9 SILICONE TUBE	IN ROLL	
03	17001269	L-F/BRASS 90°CONNECT.FOR FAUCET EV.NPR/T		35	11030763	MATT/BLK UPPER BODY HOT WATER DISP.NPR/T		
04	11024038	BRASS 2WAY EV 21JN1RRV20-XT+LBV05024CU		36	12000450	SCREW TCB TORX 10 3,5X12 PLAST.ZN-N		
05	11027571	L-F/BRASS 90° CONNECTOR FOR FAUCET EV.		37	17000006	TWO WAY TEFLON TUBES SUPPORT SPRING MYB9		
06	17000980	DESCARGING WATER CONNECTOR XSMC		38	11027553	CARAFE PRESENCE BOARD NPR/T		
07	17000595	BLK CARAFE INSERT BODY FRONT COVER NPR/T				<b>UP TO S/N TU901228113257</b>		
	11030540	MATTBLK CARAFE INS.BODY FRON.COVER NPR/T		39	17001331	BLACK CARAFFE BOARD COVER NPR/T		
	11027527	SPECCH.CARAFE INS.BODY FRONT COVER NPR/T				<b>UP TO S/N TU901228113257</b>		
	11030568	SPECCH.CARAFE INS.BODY FRONT COVER NPR/T		40	17000019	SS CARAFE MICRO INSERT SPRING MYB9		
	11028591	SS CARAFE INS.BODY FRONT COVER NPR/TMASSY	CAPP.METAL			<b>UP TO S/N TU901228113257</b>		
08	17000600	BLACK CARAFE INSERT BODY NPR/T		41	17001329	BLACK CARAFE MICRO INSERT NPR/T		
09	11030842	MATT/BLK HOT WATER DISPENSER NPR/T ASSY.				<b>UP TO S/N TU901228113257</b>		
10	11024039	3WAY EV OT57 (31JN1XRV20-SXT+LBV05024CU)		42	17000601	BLACK CARAFE GRAFT BODY INSERT NPR/T		
11	140328059	OR 2015 IN SILICONE PTFE/FDA		43	11027510	WHT PREFORM.TEFLON TUBE SUPP.NPR ASSY.		
12	17000114	FLOW SELECTOR FAUCET XSMC		44	17001142	BLK CARAFE INSERT BODY REAR COVER NPR/T		
13	12000893	BLACK OR METRIC 0120-20 IN EPDM		45	11005395	MILK CONTAINER SUPPORT SPRING P124		
14	11008104	MUSHROOM VALVE FOR FLOW SELECTOR P0057		46	17001205	BLK LOWER BODY HOT WATER DISPENS.NPR/T		
15	11008105	FLOW SELECTOR VALVE SUPPORT P0057		47	17001215	BLACK OUTPUT HOT WATER TUBE NPR/T		
16	11008077	STEEL FLOW SELECTOR VALVE SPRING P0057		48	129913902	SCREW TCB TORX 10 3X12 PLAST.ZN-B		
17	11008106	FLOW SELECTOR VALVE CAP P0057		49	12001728	SCREW TCB TORX 10 3,5X12 PLAST.SS		
18	11022791	BLACK SLIM/EXSL TUB.BOILER SUPPORT				11026286	HP/SLIM TUB.BOILER STD 1900W 230V ASSY.	COMPLETE
19	129573202	SCREW TCB TORX 20 M4X8 AUTOFORMING ZN-B				11026684	SLIM TUB.BOIL.STD C1 T190° 1300W 120V ASSY	COMPLETE
20	12001033	THERMOSTAT ONE SHOT 190°						
21	11001751	TUB.BOILER V3 UPPER THERMOSTATES SPRING						
22	12001280	SCREW TSP TORX 10 5X20 PLAST.ZN-B						
23	17000346	HP/SLIM TUB.BOILER ASSY.	230V-1900W					
	11023153	SLIM TUB.BOILER ASSY.	1300W 120V					
24	11004689	TEA/BRASS SAFETY VALVE 16-18 BAR ASSY.						
25	149205850	BLACK PUMP SUPPORT TYPE ULKA						
26	12000140	ULKA PUMP EP5/S GW	230V-50HZ					
	12000182	ULKA PUMP EP5/S GW	220V-60HZ					
	12000142	ULKA PUMP EAP5/S	120V-60HZ					
27	17800230	2POLES CONNECTOR PUMP CLP UL						
28	17800229	3POLES CONNECTOR FLOWMETER CLP UL						
29	NV99.099	TURBINE D=1,2 932-8521/00 ASSY.						
30	12000892	OETIKER CLAMP D=9,5 16700004						
31	190800100	TEMPERATURE SENSOR NTC UL L=280MM						
32	17001440	BLK BOILER INSULATING COVER NPR						



PHILIPS

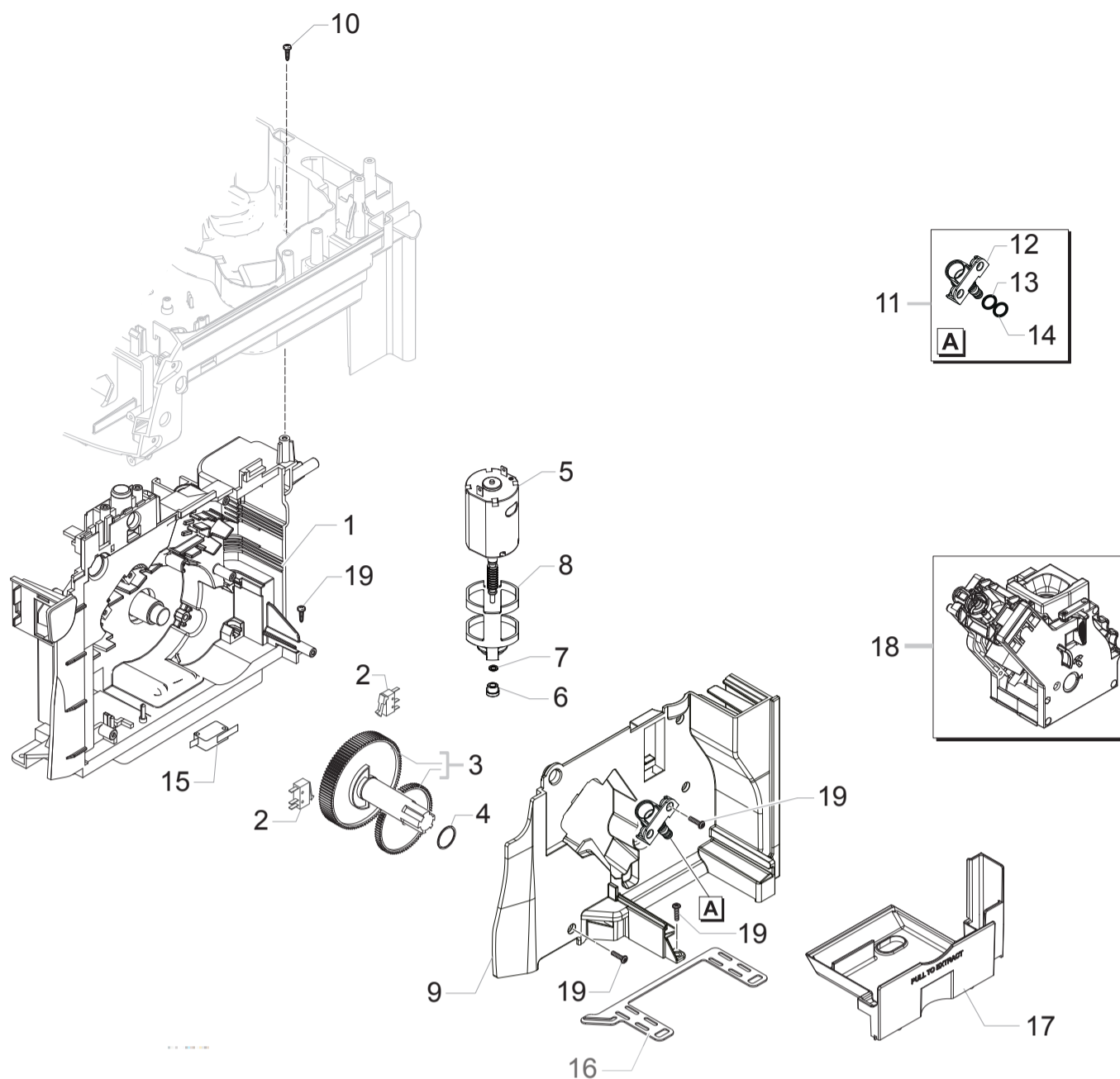
Saeco

HD8753/04-06-11-12-15-19-23-25  
HD8753/81-82-83-84-87-88-89



Cod.10003884-10003987-10004079-80-81  
Cod.10004082-84-85-10004100-06-07-08-09  
Cod.10004228-33

POS	CODE	DESCRIPTION	NOTE	POS	CODE	DESCRIPTION	NOTE
01	11010031	TEA/ZAMA INCREASE SCREW GRINDER					
	11024208	TEA SHORT ZAMA INCREASE SCREW GRINDER	USA				
02	129574802	SCREW TCB TORX 20 M4X30 ZN-B					
03	149198250	BLK UPPER COFFEEGRINDER GRINDER SUPPORT					
04	140328960	NBR FDA OR METRIC 0530-15					
05	146520100	BAKED CLAY GRINDER 48X28					
06	11012466	BRASS BUSH BEAN CONT.FINGER PROTEC.P0057					
07	149198350	BLK LOWER COFFEEGRINDER GRINDER SUPPORT					
08	123030300	AXIAL BEARING EKKO 342.35252					
09	140360500	FELT RING 45,4X39,4X4					
10	128310402	GALV.WASHER UNI 8842 A4					
11	11026355	BLK GROUND COFF.OUTLET CONVEYOR V4 ASSY.					
12	11030459	GRY GROUND COFFEE CONTLOWER SEAL SMART1					
13	226000300	GEAR SX Z=38 FOR GRINDER MOTION ASSY.					
14	11000513	MOTOR COFFEEGRINDER V3.1 ASSY.	230V				
	11000511	MOTOR COFFEEGRINDER V3.1 ASSY.	120V				
15	149214800	MC V3 MOD=1,25 WORM SCREW CENTRING CAP					
16	129661702	SCREW TCB TORX 3,5X30 PLAST.ZN-B					
17	11002873	INSULATOR BUSH FOR GRINDER MOTOR P124					
18	11000597	COFFEE GRINDER SUPPORT SPRING P124					
19	11014285	BLK V2 BEAN CONTAIN.FINGER PROTECT.P0057					
	17001333	TRANS.BEAN CONTAIN.FINGER PROTECT.NPR	FOR USA				
20	128381902	STEEL FLAT WASHER DI=4,3 DE=14 SP=1,5					
21	149199050	BLK SENSOR SUPPORT FOR COF.GRINDER MOTOR					
22	11000194	BLACK COFFEEGRINDER MOTOR SUPPORT P124					
23	181540900	ELECTR.BOARD WITH SENSOR HAL506 SF-K					
24	123030200	RADIAL BEARING 61900.2RS1					
25	128381800	STEEL CRINKLE WASHER 21,8X14X0,25					
26	142905450	BLK UPPER BODY WITH COFFEE GROUND OUTLET					
27	17800302	3POLES CONNECTOR MC SENSOR NPR UL					
28	11002613	LOWER COFFEEGRINDER GEAR SUPPORT P124					
29	11002572	COFFEEGRINDER REGULATION SPRING P124					
30	11003784	COFFEE GRINDING ADJUSTMENT GEAR P0049					
31	U043.004	ZN-B TCB SCREW M4X16					
32	11002508	UPPER COFFEEGRINDER GEAR SUPPORT P124					
33	129914002	SCREW TCB TORX 10 3,5X16 PLAST.ZN-B					
34	17800301	2POLES CONNET.COFFEEGRINDER MOTOR NPR UL					
35	11003446	BLACK BEAN COFFEE GRINDER INSERT P0049					
36	17001921	BLK WIRING FIX INSERT FOR GRINDER BOARD					
	11026298	GEN.MOTOR COFFEE GRINDER NPR ASSY.	230V				
	11029730	GEN.MOTOR COFF.GRINDER NPR ASSY.	120V UL				
	11028279	GEN.MOTOR COFFEE GRINDER NPR ASSY.	120V BRA-TW				



PHILIPS

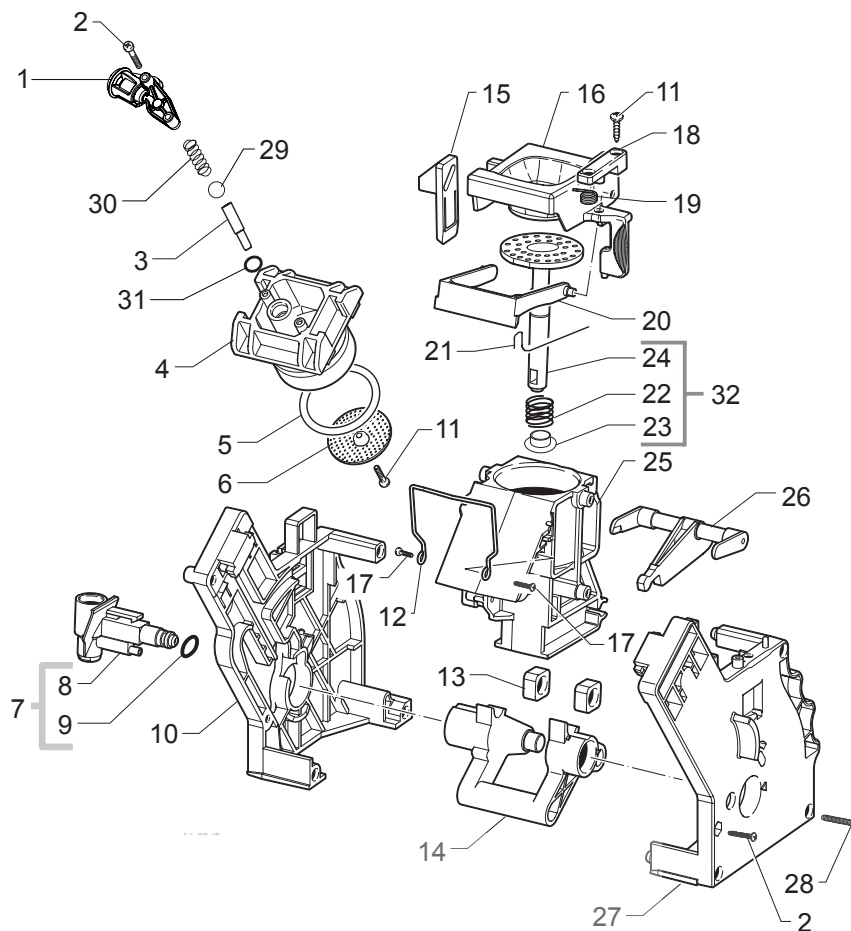
Saeco

HD8753/04-06-11-12-15-19-23-25  
HD8753/81-82-83-84-87-88-89



Cod.10003884-10003987-10004079-80-81  
Cod.10004082-84-85-10004100-06-07-08-09  
Cod.10004228-33

POS	CODE	DESCRIPTION	NOTE	POS	CODE	DESCRIPTION	NOTE
01	17000366	BLK RATIOMOTOR MOUNTING PLATE XSMCASSY.					
02	NE05.038	MICROSWITCH					
03	20000900	SPARES KIT GEARS FOR RATIOMOTOR V2					
04	9161.132	MYLAR WASHER FOR RATIOMOTOR					
05	11005214	MOTOR FOR RATIOMOTOR P124 ASSY.					
06	9121.046	BRONZE SINTERED BUSH FOR MOTOR RATIOMOT.					
07	148380200	BAKELIZZATE WASHER D=5,5					
08	9121.044	ANTIVIBRATION FOR MOTOR					
09	11003754	BLK RATIOMOT.MOUNTING PLATE COVER P0057					
10	12000450	SCREW TCBR TORX 10 3,5X12 PLAST.ZN-N					
11	11013531	PIN FOR FLOW SELECTOR FAUCET P0057 ASSY.					
12	11013530	PIN FOR FLOW SELECTOR FAUCET V2 P0057					
13	NM01.035	OR ORM 0090-20 SILICONE					
14	NM01.057	OR ORM 0050-20 IN SILICONE					
15	NE05.013	SEAL GACO DIM 14 MIELE					
16	11013205	BLACK SEAL FOR RATIOMOTOR PLATE XSM					
17	17001336	GREY BREW UNIT DRAWER COFFEE NPR					
18	11012382	BLACK BREW UNIT 8GR.5BAR P0057					
		<b>SEE EXPL.CODE E90067 NEXT PAGE</b>					
19	12001728	SCREW TCBR TORX 10 3,5X12 PLAST.SS					



SUP031-033-037



Cod. 11012382

POS	CODE	DESCRIPTION	NOTE	POS	CODE	DESCRIPTION	NOTE
01	11009362	BLACK COFFEE OUTLET SLEEVE S0053 ASSY.					
02	12000550	SCREW TCB TORX 10 3X25 PLAST.SS					
03	11009276	TUBE FOR COUNTER PISTON BREW UNIT S0053					
04	11001840	BLACK COUNTER PISTON BREW UNIT 8GR.P124					
05	NM01.044	OR ORM 0320-40 SILICONE PTFE/FDA					
06	9161.268	PERCOLATOR DE=35,8 ELFO					
07	20000440	BLACK SPARE SLEEVE UNIT					
08	9161.064.050	BLACK WATER INLET SLEEVE BREW UNIT					
09	NM02.007	OR 2025 TERMOIL					
10	9161.375.050	BLACK REAR PLATE FOR BREW UNIT SMART					
11	12000895	SCREW TSP TORX 10 3X10 PLAST.SS					
12	11001556	SPRING H=49 FOR COFFEE BREW UNIT SMART					
13	9161.094.150	GREY DRILLED BLOCK BREW UNIT					
14	9161.066.050	ELBOW SHAFT FOR UNIT BLACK					
15	9161.373.050	BLACK COUPLING PLATE BREW UNIT SMART					
16	149261350	BLACK HOPPER DOSER BREW UNIT SMART1					
17	129912521	SCREW TCB TORX 10 3,5X14 PLAST.SS					
18	9161.374.050	BLACK HOPPER BLOCKING PLATE UNIT SMART					
19	9161.378	SPRING HOPPER SMART BREW UNIT					
20	11004161	BLACK SCRAPER FOR COFFEE UNIT					
21	9161.046	SPRING FOR UNIT SCRAPER					
22	9161.198	PISTON SPRING BREW UNIT M5000					
23	9161.191	NEUTRAL PISTON BUSH BREW UNIT M5000					
24	11003077	BLACK INTEGRAL PISTON UNIT P124 8GRASS					
25	11003075	BLACK COFFEE CONTAINER BREW UNIT P124	WITH PART. N° 12				
26	11003078	BLACK CONNECTING ROD FOR UNIT P124 8GR.					
27	11005920	BLACK FRONT PLATE BREW UNIT SMART S.SCR.					
28	12000897	SCREW TCB TORX 10 3,5X20 PLAST.SS					
29	9991.168	GLASS SPHERE D.5MM					
30	11012095	SPRING FOR COUNTERPISTON UNIT S0053					
31	140328761	OR METRIC 0060-15 IN TERMOIL					
32	11023086	BLK 8GR.BREW UNIT NTEGR.PISTON GEN.ASSY.					
	11012382	BLACK BREW UNIT 8 GR.5 BAR S0053					



BLACK BREW UNIT 8 GR.5 BAR

TABLE 1/1